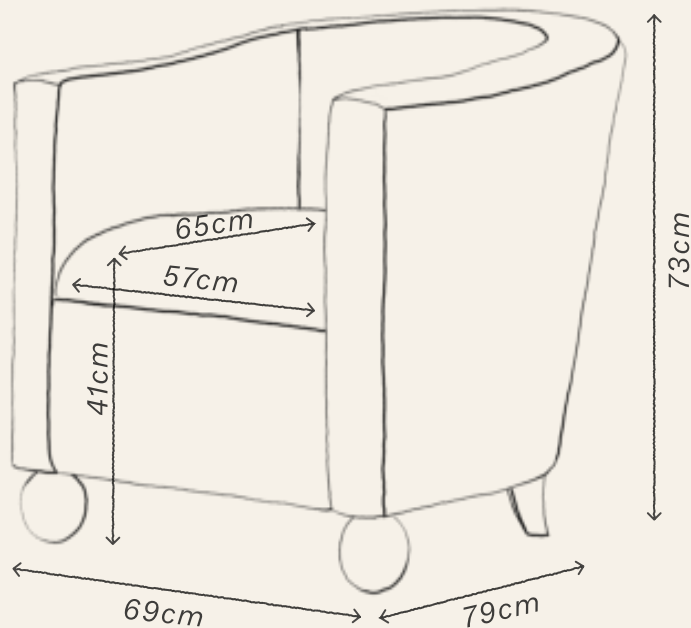


TUBSTER ARMCHAIR



TUBSTER ARMCHAIR



Handmade in the UK, the Tubster Chair is a classic armchair with a deep, comfortable seat and unique u-shaped back. It is available in Woodrose in *Azure & Cranberry*, Kiss Cross in *Ochre* and Traditional Ticking in *Black*.

DIMENSIONS

Width 69cm
Height 73cm
Depth 78cm

LEAD TIME

Approximately 8-10 weeks

N.B

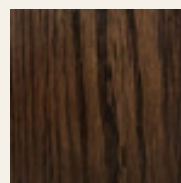
This product is handmade in England

CARE

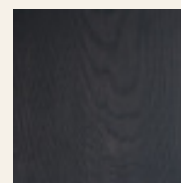
Upholstery: Clean according to fabric specifications.

Feet: Gently wipe with a microfibre cloth and wax with a good quality wax polish.

FEET FINISH OPTIONS



DARK OAK

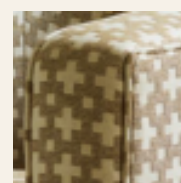


EBONISED

ARM FINISH OPTIONS

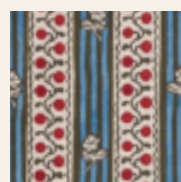


STUDED

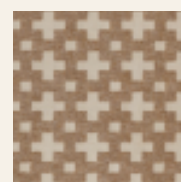


PIPED

FABRIC OPTIONS



WOODLAND
ROSE IN AZURE
& CRANBERRY



KISS CROSS IN
OCHRE



TRADITIONAL
TICKING IN
BLACK

Our Tubster can be upholstered in a fabric of your choice. Please enquire.

Fabric Requirements: 5.5 m