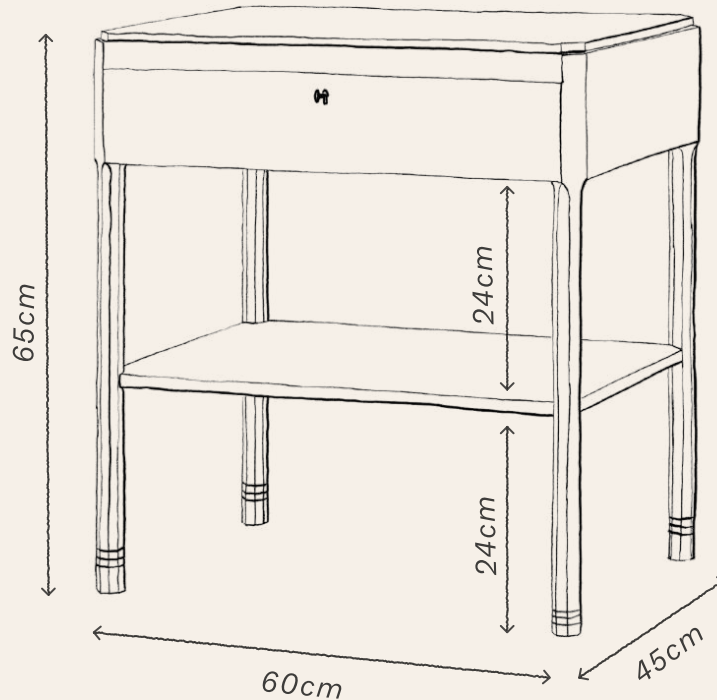




SIDNEY SIDE TABLE

SIDNEY SIDE TABLE

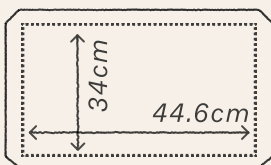


Sidney Side Table is a handmade oak table with granite, limestone, or marble top. It is available in Natural Oak, Ebonised or Painted finishes.

DIMENSIONS

Width 60cm
Height 65cm
Depth 45cm

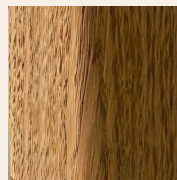
Internal Drawer



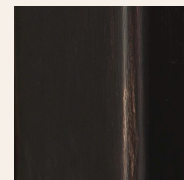
LEAD TIME

Approximately 8-10 weeks

FRAME FINISHES



NATURAL OAK



EBONISED



PAINTED BEECH

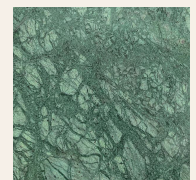
TOP FINISHES



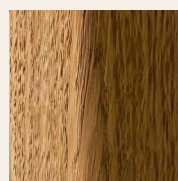
LIMESTONE



BLACK GRANITE



GREEN MARBLE



WOOD VENEER

SIDNEY SIDE TABLE

CARE INSTRUCTIONS

Stone Tops:

- Be careful not to scratch or mark the surface.
- Use coasters under all glasses, particularly those containing alcohol or citrus juices.
- Be particularly careful with the following materials: lemon juice, wine, vinegars, coloured liquids, nail varnish and solvent/oil based products as they can easily stain marble.
- Blot spills with a paper towel immediately. Don't wipe the area, it will spread the spill. Flush the area with water and mild soap and rinse several times. Dry the area thoroughly with a soft cloth. Repeat as necessary.
- Clean stone surfaces with a neutral cleaner, stone soap, or a mild liquid dishwashing detergent and warm water.
- Rinse the surface thoroughly after washing with the soap solution and dry with a soft cloth.
- Do not use general household cleaning products such as Flash, Jif, Mr Muscle or any strong detergents such as bleach, as these are abrasive and will remove the protection provided by the sealant. Please note, that the sealer is made to protect the stone but it is not making it completely stain resistant.
- Do not rubbed tops with abrasive materials such as metal pads, scouring detergents and wire wool.
- Dust frequently using a clean non-treated dry dust cloth. Sand, dirt and grit are abrasive and can damage natural stone.
- Do not hit your granite top with something blunt and heavy. It can crack, chip or even break (the edges are most likely to be damaged if physically abused).
- Do not expose your granite top to excessive heat - we advise the use of a tripod or similar to place your pans on when taken directly from the hob.
- Use place mats on marble tops under china, ceramics, silver and other objects that can scratch the stone's surface.

Oak Frame:

- Clean gently with a microfibre cloth.
- Apply good quality polish to the natural oak finish.
- Avoid dragging the frame, as this could cause the frame to break.
- Avoid hard or pointed objects near the frame as this could chip or scratch the wood and paint.