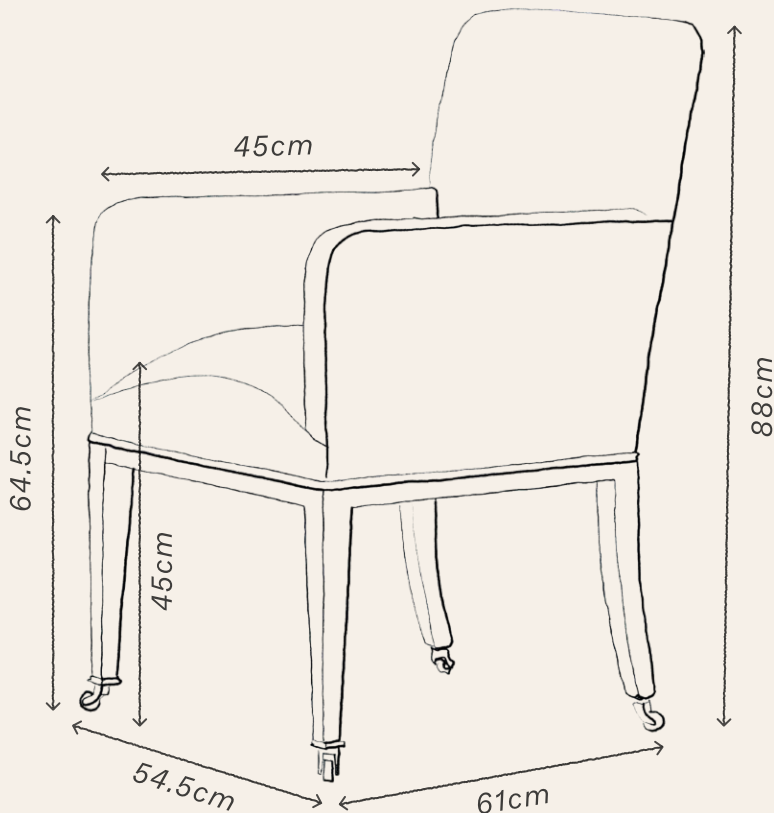


SUSSEX CHAIR



SUSSEX CHAIR



Classic and versatile, the Sussex chair features a deep seat, straight arms and castor feet making it an adaptable chair perfect for a multi-purpose space.

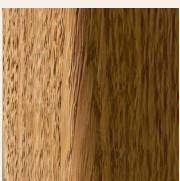
DIMENSIONS

Width	54.4cm
Height	88cm
Depth	61cm
Seat H	45cm
Seat D	46cm
Arm H	64.5cm

LEAD TIME

Approximately 8-10 weeks

FINISH OPTIONS



NATURAL OAK

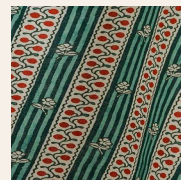


PAINTED BEECH

All drawings, concepts and ideas herein are the intellectual property right of Studio Atkinson and are subject to international copyright and intellectual property law.



FABRIC OPTIONS



WOODLAND ROSE
IN MINT &
PERSIMMON



CHECKERBOARD
IN PINK

Our Sussex Chair can be upholstered in a fabric of your choice. Please enquire. *Fabric Requirements: 4m Contrast Piping - 6m*

CARE

Upholstery: Clean according to fabric specifications.

Wooden Framet: Gently wipe with a microfibre cloth and wax with a good quality wax polish.

N.B

This product is handmade in England