

STUDIO ATKINSON



THE PLATO LIGHT

Handcrafted in the UK from wood and brass, our Plato Light is coated in bright, high gloss colours giving a contemporary feel to a traditional shape. The Plato features chamfered edges and spherical antique brass feet. It is available in a variety of colours from our range and can also be painted in a bespoke colour of your choice.

Available in two sizes:

SMALL 120mm W x 120mm D x 320mm H
(530mm H w/Coolie shade)

LARGE 150mm W x 150mm D x 441mm H
(600mm H w/Coolie shade)

Available in UK or UL specifications.

Lead time: 6-8 weeks.

Shade sold separately. Please see below for further details.

Please enquire for shipping cost.



7 Plato Place
72 - 74 St Dionis Road
London SW6 4TU

susie-atkinson.com
office@susieatkinson.com
020 7384 0700

@STUDIOATKINSON
© Susie Atkinson Design

STUDIO ATKINSON

COOLIE SHADE FOR PLATO LAMP



Available in two sizes: S & L

Dimensions:

Small: Top: 65mm, Base: 420mm, Height: 152mm

Large: Top: 80mm, Base: 525mm, Height: 190mm

Specifications:

Fixed gimble fitting

China White Card

Binding to top and bottom (available in black or ivory)

B22 bulb

ALVARO PICARDO x STUDIO ATKINSON
HAND PAINTED COOLIE SHADE



Available in a variety of designs.

Dimensions:

Small: Top: 65mm, Base: 420mm, Height: 152mm

Specifications:

Fixed gimble fitting

Hand painted design on China White Card

B22 bulb

DRUM SHADE FOR PLATO LAMP



Available in two sizes: S & L

Dimensions:

Small: Diameter: 325mm, Height: 225mm

Large: Diameter: 400mm, Height: 280mm

Specifications:

Fixed gimble fitting

China White Card

Binding to top and bottom (available in black or ivory)

B22 bulb

Care instructions:

Do not lift lights by the neck or bulb holder. If you received any damaged goods or are missing any part of your order, please contact sales@studio-atkinson.com as soon as possible.

Cleaning instructions:

Lacquered wood: To remove marks, gently wipe with a damp cloth. For general dusting, use a dry cloth.

Brass: Soft dry lint free cloth. To polish use a good quality household polish.

Card Shades: Feather duster applied very gently.



STUDIO ATKINSON

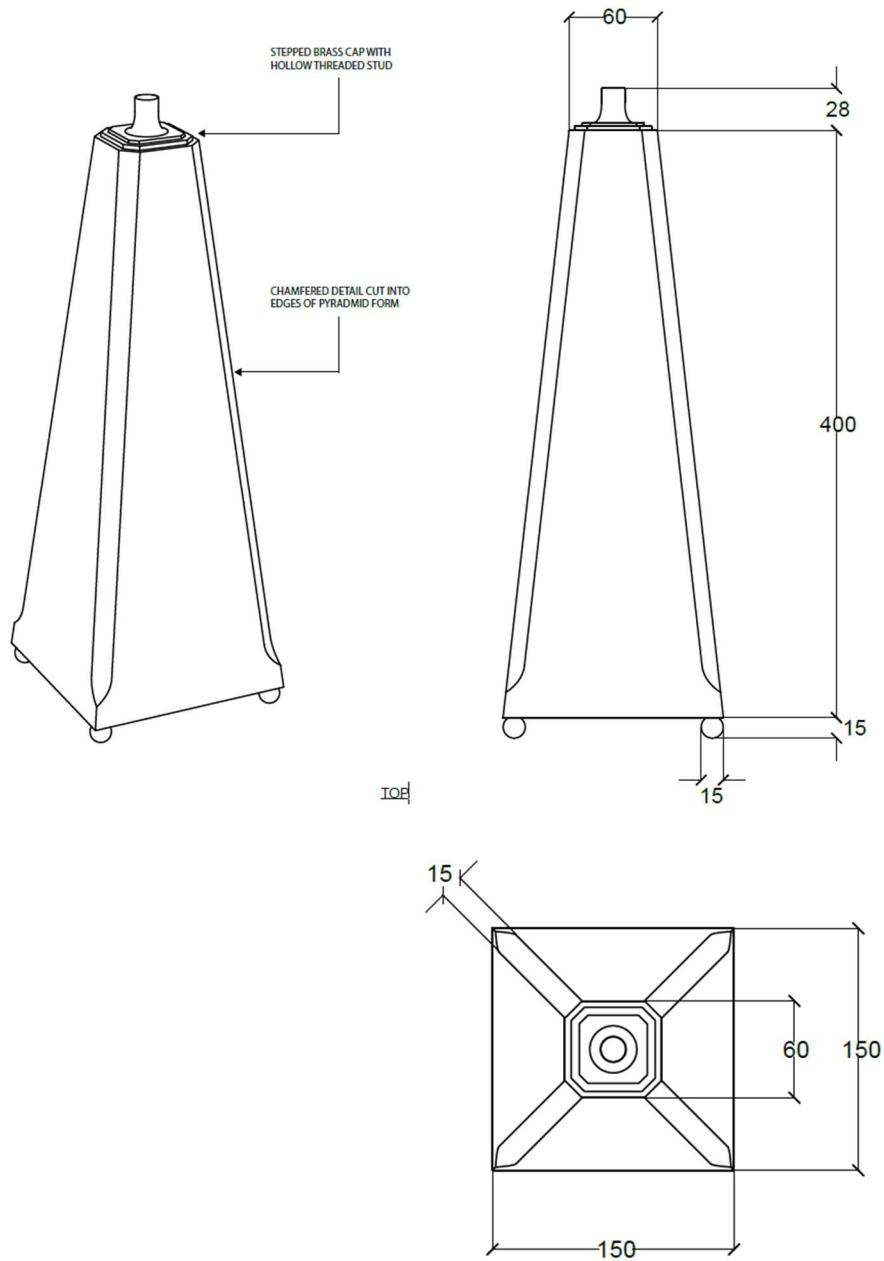
LACQUERED PYRAMID TABLE LAMP V1

Drawn: 11/2/2020

Scale 1:3 [A3]

ISOMETRIC

FRONT



7 Plato Place
72 - 74 St Dionis Road
London SW6 4TU

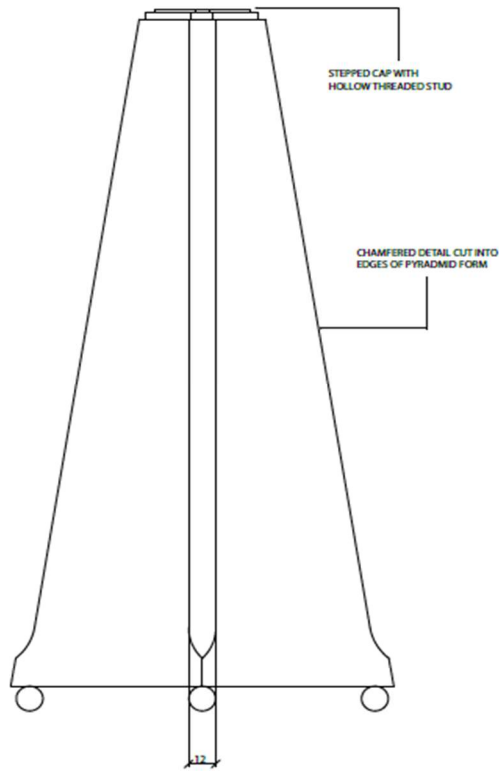
susie-atkinson.com
office@susieatkinson.com
020 7384 0700

@STUDIOATKINSON
© Susie Atkinson Design

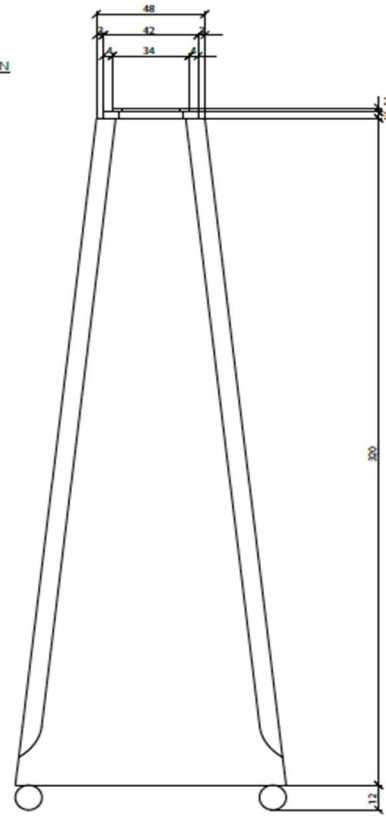
STUDIO ATKINSON

LACQUERED PYRAMID LAMP
320MM Version A
11.6.21

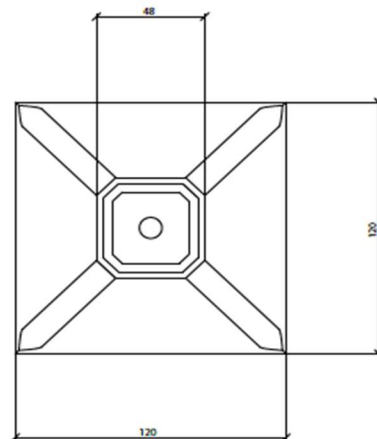
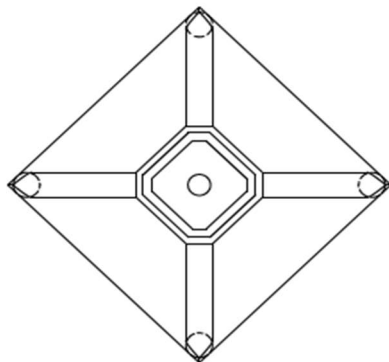
SIDE ELEVATION



FRONT ELEVATION



PLAN



Small Plato Light Technical Drawing



7 Plato Place
72 - 74 St Dionis Road
London SW6 4TU

susie-atkinson.com
office@susieatkinson.com
020 7384 0700

@STUDIOATKINSON
© Susie Atkinson Design

STUDIO ATKINSON



7 Plato Place
72 - 74 St Dionis Road
London SW6 4TU

susie-atkinson.com
office@susieatkinson.com
020 7384 0700

@STUDIOATKINSON
© Susie Atkinson Design