

STUDIO ATKINSON



THE PARSONS DESK LIGHT

Made using antique brass by skilled craftsmen in the UK, the Parsons Desk Lamp is designed with an articulated arm, making it the perfect desk lamp or reading light for a cosy corner. The light stand is wrapped in hand stitched leather, available in a choice of Ivory, Black & Oxblood.

The desk lamp is paired with a traditional card shade with a matching trim in Ivory, Black or Oxblood.

Available in UK, US and Europe.

Please enquire for shipping cost.

Lead Time: Please enquire.

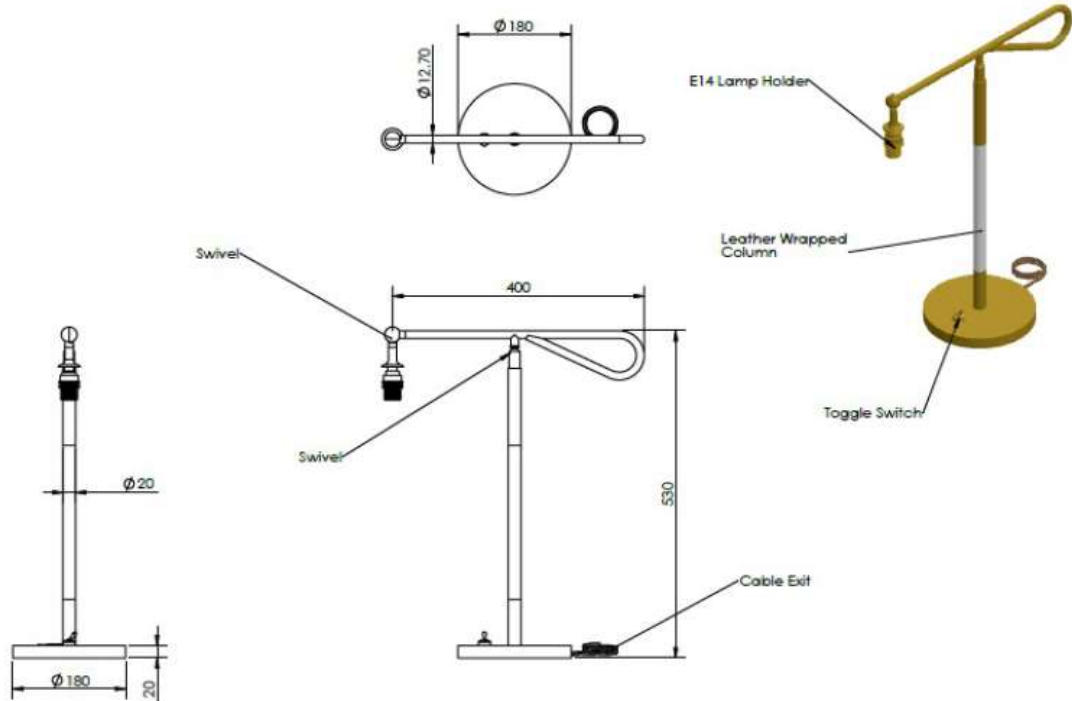


7 Plato Place
72 - 74 St Dionis Road
London SW6 4TU

susie-atkinson.com
office@susieatkinson.com
020 7384 0700

@STUDIOATKINSON
© Susie Atkinson Design

STUDIO ATKINSON



Dimensions:
400MM X 543MM H

Lampshade dimensions & specifications:
Base Diameter: 200mm
Top Diameter: 100mm
Slope: 170mm
Clearance to fitting: 30mm
China White Card
Black/Oxblood/Ivory binding to top and base
E14 Gimble fitting

Care instructions:
Do not lift lights by the neck or bulb holder.

If you received any damaged goods or are missing any part of your order, please contact sales@studio-atkinson.com as soon as possible.

Cleaning instructions:
Brass: Soft dry lint free cloth.
To polish use a good quality household polish.

Card Shades: Feather duster applied very gently.

Leather: Lightly wipe with a damp cloth taking care not to soak the leather.

As leather is a natural product, the characteristics of each hide will vary. Take care to avoid direct sunlight on the leather and avoid direct heat on the leather or proximity to a heat source as this may cause changes to the leather.



7 Plato Place
72 - 74 St Dionis Road
London SW6 4TU

susie-atkinson.com
office@susieatkinson.com
020 7384 0700

@STUDIOATKINSON
© Susie Atkinson Design