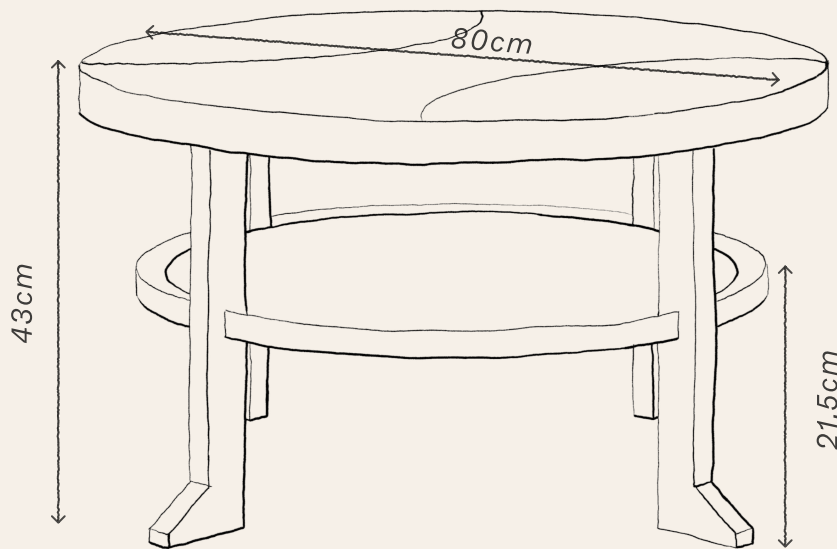


NOUGHTS & CROSSES COFFEE TABLE

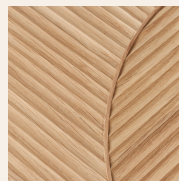


NOUGHTS & CROSSES COFFEE TABLE

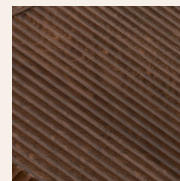


The Noughts & Crosses Coffee Table is a solid oak round table defined by contrast and sculptural detailing. Handmade in Sussex, the circular top allows for easy movement around a room, making it particularly suited to tighter spaces or more intimate seating arrangements. Available in natural oak, mid oak, or ebonised finish, with bespoke options available on request.

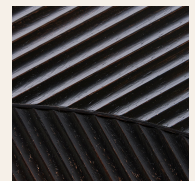
WOOD FINISHES



PALE OAK



MID OAK



EBONISED OAK

DIMENSIONS

Height 43 cm
Diameter 80 cm

LEAD TIME

Approximately 8-10 weeks

N.B

This product is handmade in England

NOUGHTS & CROSSES COLLECTION CARE

CARE INSTRUCTIONS

- Wipe with a dry or slightly damp microfiber cloth in everyday cleaning; you can also use a mild environmentally friendly detergent.
- Always dry your furniture afterwards using a dry microfiber cloth.
- Do not use abrasive detergents or abrasive sponges and cloths.
- Use only a cloth dampened with warm water to clean off any spillages or food, taking care to act promptly when they occur.
- Monitor the relative humidity in the room. This should be kept between 45% and 50%, regardless of the season. It is extremes of variation in humidity levels that can cause problems. Levels can be maintained and monitored using a good humidifier.

- Do not use silicone based cleaning agents or polishes on the surface.
- Do not leave your piece for prolonged periods in direct sunlight as this will accelerate the ageing process; light can cause timber to discolour or even to crack and/or dry out. Wood is a natural resource that is affected by the environment it is placed in.
- Do not place hot or extremely cold plates or other items directly onto the surface of the furniture. Heat and hot objects may damage wood, so always leave an air gap between your wood furniture and a radiator.
- Do not allow the furniture to become very wet in any way as this may penetrate into the timber and cause problems later on.
- Do not slide or drag items across the surface of the furniture as this will cause scratches and dents.
- Avoid dragging the frame, as this could cause the frame to break.
- Avoid hard or pointed objects near the frame as this could chip or scratch the wood.