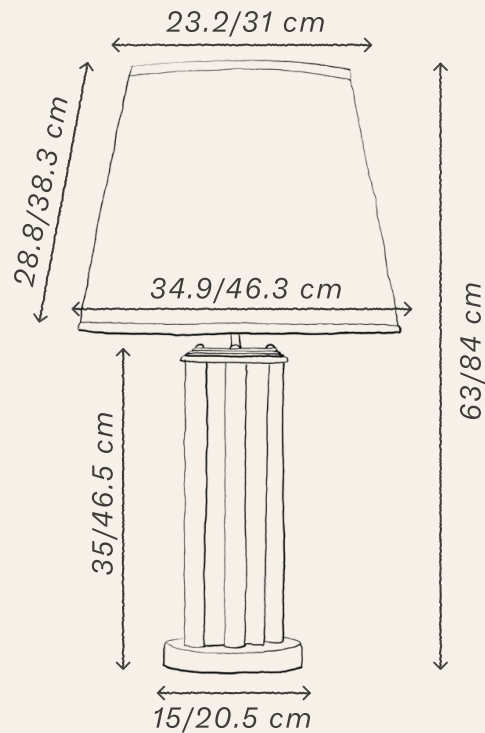


CANE LAMP



CANE LAMP



Noughts & Crosses Lamp is a cane and wood table lamp handmade in the UK, the column base features a square cane insert, echoed in the matching shade which is included as part of the design.

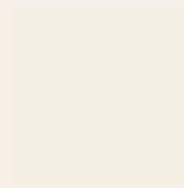
LEAD TIME Approximately 8-10 weeks

DIMENSIONS	<u>Small</u>	<u>Large</u>
Diameter	34.9cm	46.3cm
Total Height	63cm	84cm
Shade Top	23.2cm	31cm
Shade Base	34.9cm	46.3cm
Shade Slope	28.8cm	38.3cm

SPECIFICATIONS

Flex	2m
Plug	13A Black
Voltage	230V
IP Rating	IP20
Watts	20W LED max
Bulb	B22
Dimmable	N

COLOUR OPTIONS



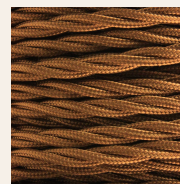
OFF WHITE



VERDIGRIS

Bespoke colour options are available. Please contact sales@studio-atkinson.com for more information.

FINISHES



FLEX - ANTIQUE BRASS



BULB HOLDER - ANTIQUE BRASS

CARE

Lacquered Wood: To remove marks, gently wipe with a damp cloth. To dust, use a dry cloth.

Brass: Polish with a good quality household polish and soft dry, lint free cloth.

Shade: Dust lightly with feather duster.