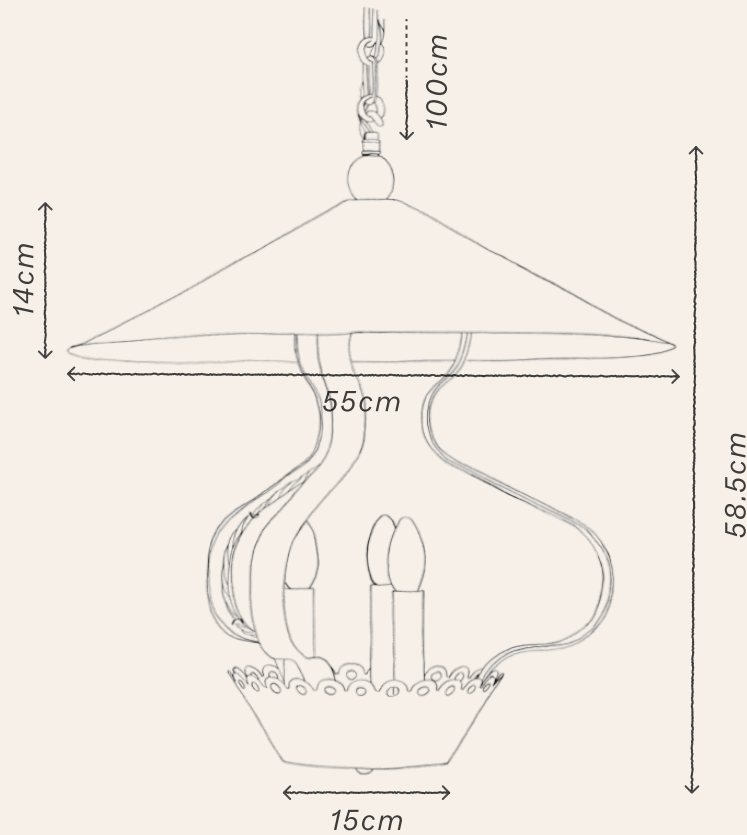




FYNING PENDANT

FYNING PENDANT

LARGE



Fynning Pendant is a brass pendant light inspired by an antique market lantern. Handmade in the UK, with a curved silhouette and pierced detailing, finished in red, ivory, or green.

LEAD TIME Approximately 8-10 weeks

DIMENSIONS

Height 58.5cm
Base 15cm
Width 55cm
Chain 1m

SPECIFICATIONS

Weight 8.5kg
Voltage 220
IP Rating 20
Watts 20 Watts
Bulb x3 E14
Dimmable Y

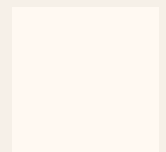
COLOUR OPTIONS



RED

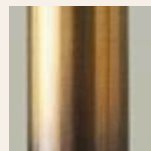


GREEN



IVORY

INNER SHADE FINISH



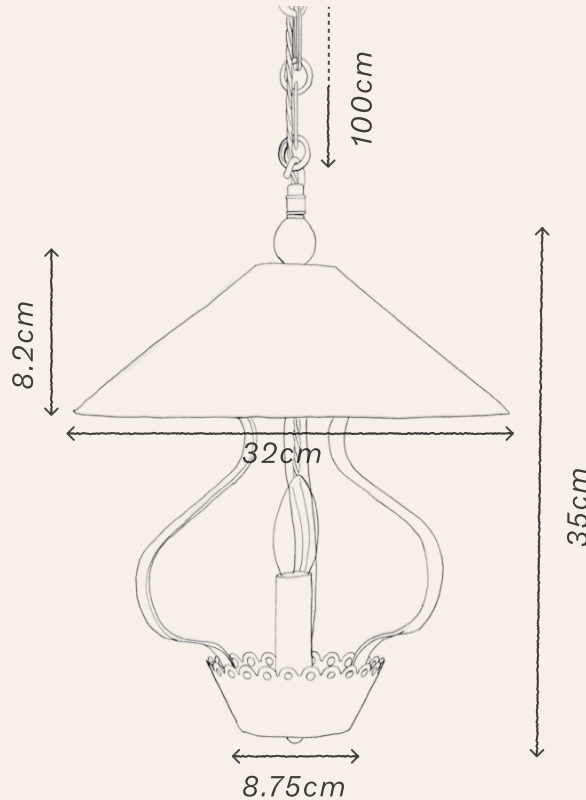
ANTIQUÉ
BRASS

CARE

Brass: Polish with a good quality household polish and soft dry, lint free cloth.

FYNING PENDANT

PETITE



Fyning Pendant is a brass pendant light inspired by an antique market lantern. Handmade in the UK, with a curved silhouette and pierced detailing, finished in red, ivory, or green.

LEAD TIME Approximately 8-10 weeks

DIMENSIONS

Height	35cm
Base	8.75cm
Width	32cm
Chain	1m

SPECIFICATIONS

Weight	3.5kg
Voltage	220
IP Rating	20
Watts	20 Watts
Bulb	x1 E14
Dimmable	Y

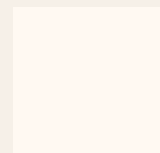
COLOUR OPTIONS



RED

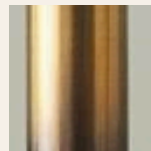


GREEN



IVORY

INNER SHADE FINISH



ANTIQUÉ
BRASS

CARE

Brass: Polish with a good quality household polish and soft dry, lint free cloth.