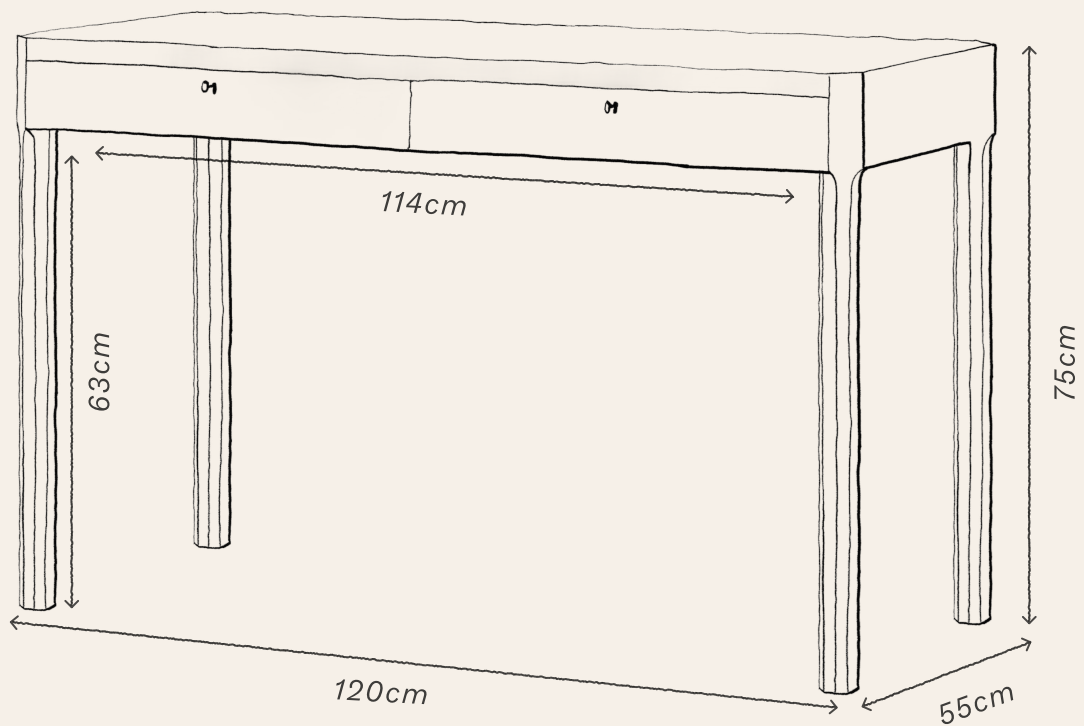


DIGBY DESK



DIGBY DESK

REGULAR

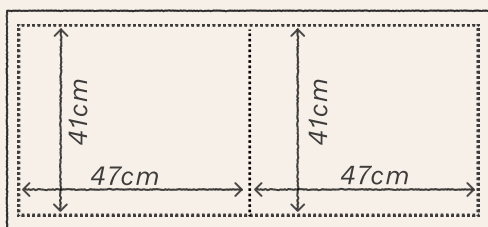


The image shows the Digby Desk in Ebonised Wood with Parchment leather.

DIMENSIONS

Width 120cm
Height 75cm
Depth 55cm

Internal Drawers



LEAD TIME

Approximately 8-10 weeks

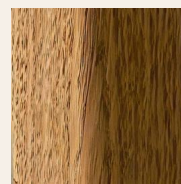
N.B

This product is handmade in England

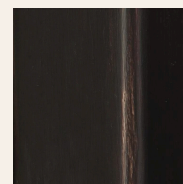
All drawings, concepts and ideas herein are the intellectual property right of Studio Atkinson and are subject to international copyright and intellectual property law.



FRAME FINISHES



NATURAL OAK



EBONISED

TOP FINISHES



PARCHMENT LEATHER



OLIVE LEATHER

DIGBY DESK

CARE INSTRUCTIONS

Leather Top:

- Avoid direct sunlight and heat.
- Use coasters under all glasses or hot items, particularly those containing coloured liquids.
- Use a desk pad for writing to avoid ink stains or pressure marks.
- Do not use cleaning products or chemicals.
- A pure mild soap solution can be used on light marks.
- Blot spills only - do not rub. To avoid leaving one moisture mark, moisten entire surface.
- Apply a leather conditioner every 6-12 months.

**Please note leather is a natural material and as such is prone to imperfections and marking/scratching from use. We believe over time this well worn quality adds to its charm. Please note the leather top cannot be replaced once set in the frame.

Oak Frame:

- Clean gently with a microfibre cloth.
- Apply good quality polish to the natural oak finish.
- Avoid dragging the frame, as this could cause the frame to break.
- Avoid hard or pointed objects near the frame as this could chip or scratch the wood.