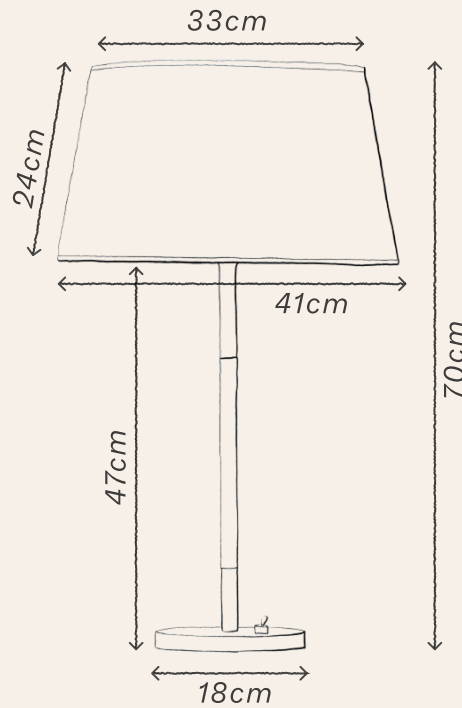


# DIONIS DESK LAMP

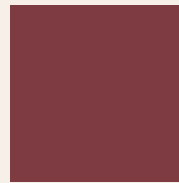


# DIONIS DESK LAMP



The Dionis Table Lamp features a slender brass stem, wrapped in hand stitched leather with a top stitch detail. Finished with an antique brass toggle switch and supplied with a coordinating card shade and matching trim.

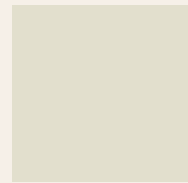
## LEATHER & SHADE TRIM OPTIONS



OXBLOOD



BLACK



IVORY

LEAD TIME      Approximately 8-10 weeks

## DIMENSIONS

### Base

Total Height      70cm  
Base diameter      18cm

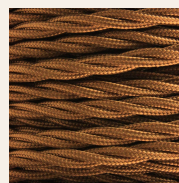
### Shade

Top diameter      33cm  
Base diameter      41cm  
Slope              24cm

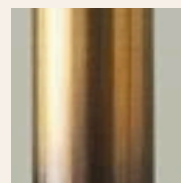
## SPECIFICATIONS

Flex                  2m  
Plug                  13A Black  
Voltage              220  
IP Rating            20  
Watts                20 Watts  
Bulb                  x1 E14  
Dimmable          N

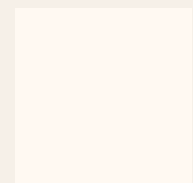
## FINISHES



FLEX - ANTIQUE BRASS



ANTIQUE BRASS



CHINA WHITE CARD

## CARE

Leather: Lightly wipe with a damp cloth taking care not to soak the leather. Avoid direct sunlight or heat.

Brass: Polish with a good quality household polish and soft dry, lint free cloth.

Shade: Dust lightly with feather duster.