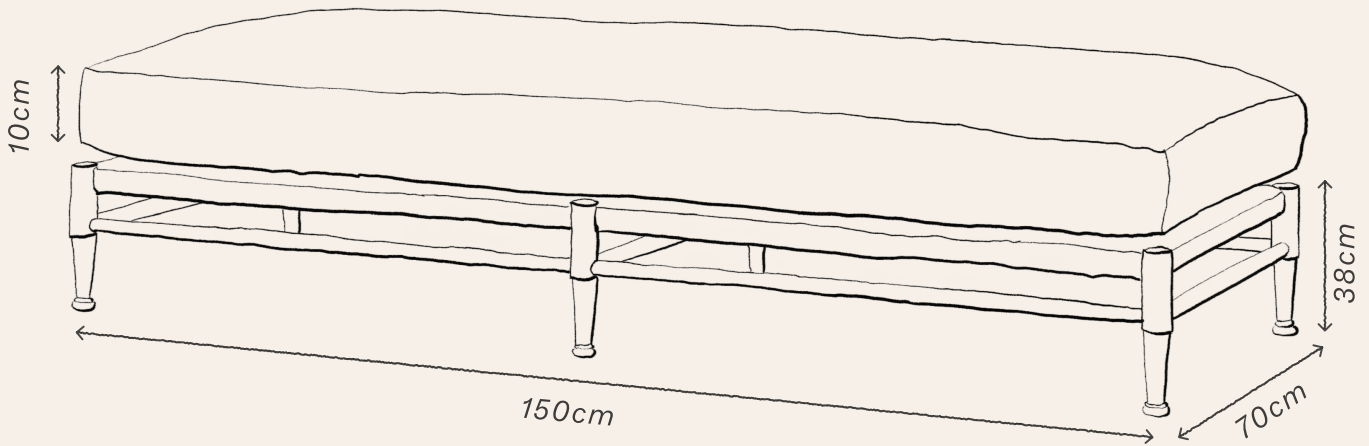


# BULRUSH DAYBED



# BULRUSH DAYBED



The Rush Daybed has a solid oak frame, with turned button foot detailing. It can be made with rush or cord. The mattress is available to purchase separately, in Checkerboard Toffee or Three Stripe in Charcoal & Swedish Red.

## DIMENSIONS

Width	150cm
Height (excl mattress)	38cm
Depth	70cm

## FRAME FINISH

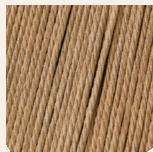


NATURAL OAK

## SEAT FINISHES



REELED RUSH



DANISH CORD

## MATTRESS OPTIONS



CHECKERBOARD  
IN TOFFEE



THREE STRIPE  
IN CHARCOAL &  
SWEDISH RED

Our Mattress can be upholstered in a fabric of your choice. Please enquire.

*Fabric requirements: 5.5 m & 2m of piping.*

## LEAD TIME

Approximately 8-10 weeks

## CARE

### Frame:

Clean gently with a microfibre cloth.

Apply good quality polish.

Avoid dragging the frame, as this could cause the frame to break.

Avoid hard or pointed objects near the frame as this could chip or scratch the wood.

### Rush/Cord:

Rush is a natural material.

Avoid direct contact or excessive water on the rush. Some detergents may cause damage or discolouration to the rush. Spot clean only with warm water, mild detergent and a damp cloth. Allow the rush to air dry completely before use. Do not use heat on the rush. When completely dry gently rub in a creamy beeswax gently (optional).

**Mattress:** Please refer to the fabric care instructions from your fabric supplier.